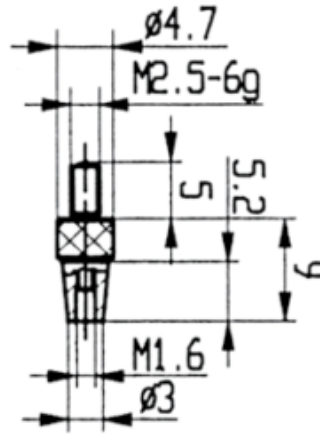


## Measuring inserts for dial gauges Special steel with thin measuring pin

**Product number:** 1330612  
**EAN / GTIN:** 4066918047342  
**Manufacturer number:** 62141  
**Customs code:** 90319000  
**Delivery method:** Parcel delivery service  
**Weight:** 0.01kg



### Product description

- For dial gauges and comparator gauges
- Measuring inserts can be exchanged
- With screwed-in measuring insert 5.2281 and 2 mm ball as standard
- Mounting thread M2.5

**Delivered in individual packages**

### Technical Data

**Size:**

**Article no.:** 1330612  
**Brand:** KÄFER  
**Manufacturer number:** 62141  
**Weight:** 0.01kg